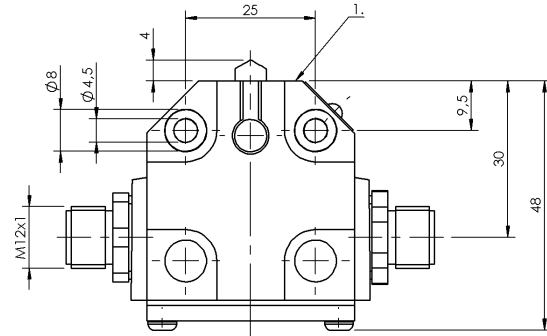
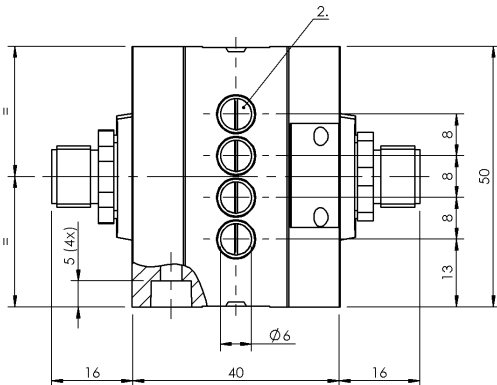


Mechanical Cam Switches  
**BNS 819-B04-D08-40-10-S80S**  
 Order Code: BNS04Y7

**BALLUFF**



1) Reference edge, 2) 1st pos.



**Basic features**

<b>Approval/Conformity</b>	CE UKCA CCC WEEE
<b>Operating principle</b>	1-4. Switch position: Mechanical
<b>Version</b>	Snap contact

**Display/Operation**

<b>Function indicator</b>	1-4. Switch position: None
---------------------------	----------------------------

**Electrical connection**

<b>Connection</b>	M12x1-Flange male, 5-pin
<b>Connection type</b>	1. Switch position: Connector

**Electrical data**

<b>Continuous current</b>	1-4. Switch position: 4 A
<b>Rated operating voltage Ue</b>	1-4. Switch position: 250 V AC
<b>Switching function mechanical</b>	Single-pin changeover
<b>Switching rate</b>	1-4. Switch position: 200/min

**Environmental conditions**

<b>Ambient temperature</b>	-5...85 °C
<b>IP rating</b>	IP67

**Functional safety**

<b>B10d (EN ISO 13849-1)</b>	BSE 69.1: 10 mil. switching cycles
------------------------------	------------------------------------

**Material**

<b>Housing material</b>	Aluminium, Anodized
<b>Housing material, surface protection</b>	Anodized
<b>Material contacts</b>	1-4. Switch position: Silver
<b>Plunger material</b>	1-4. Switch position: 1.4034 stainless steel

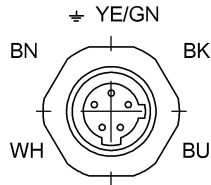
**Mechanical data**

<b>Approach direction</b>	longitudinal, parallel to attachment surface
<b>Approach speed</b>	1-4. Switch position: 20 m/min
<b>Distance cam - reference edge</b>	1-4. Switch position: 2.30...2.80 mm
<b>Flange, feed-through</b>	None
<b>Installation</b>	Vertical
<b>Life expectancy mechanical</b>	1-4. Switch position: 10 mil. switching operations
<b>Number of switching positions</b>	4x Chisel Mechanical
<b>Plunger style</b>	1-4th switch position: Chisel
<b>Switch actuation force</b>	1-4. Switch position: 8 N
<b>Switching element</b>	1-4. Switch position: BSE 69.1

**Range/Distance**

<b>Reproducibility</b>	1-4. Switch position: ±0.02 mm
------------------------	--------------------------------

## Connector Drawings



View of connector side

## Wiring Diagrams

